

“The Versatile Round & Oval Duct Connector”

AIR-FLANGE



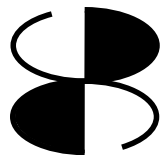
DIE STAMPED PRODUCTS introduces AIR-FLANGE

- Available in single wall and double wall, Round & Oval
- 10"– 94" Diameter round sizes
- Custom & odd sizes available
- Available in galvanized, paint-lock, stainless, aluminum & PVC coated
- Durable 18 - 14 gauge construction
- More economical than competing connectors
- Fast & simple Tek screw connection
- Many sizes in stock for quick shipping
- Cost savings on field Labor

“AIR-FLANGE is a key component we use to save on labor in the field”

-California HVAC Contractor

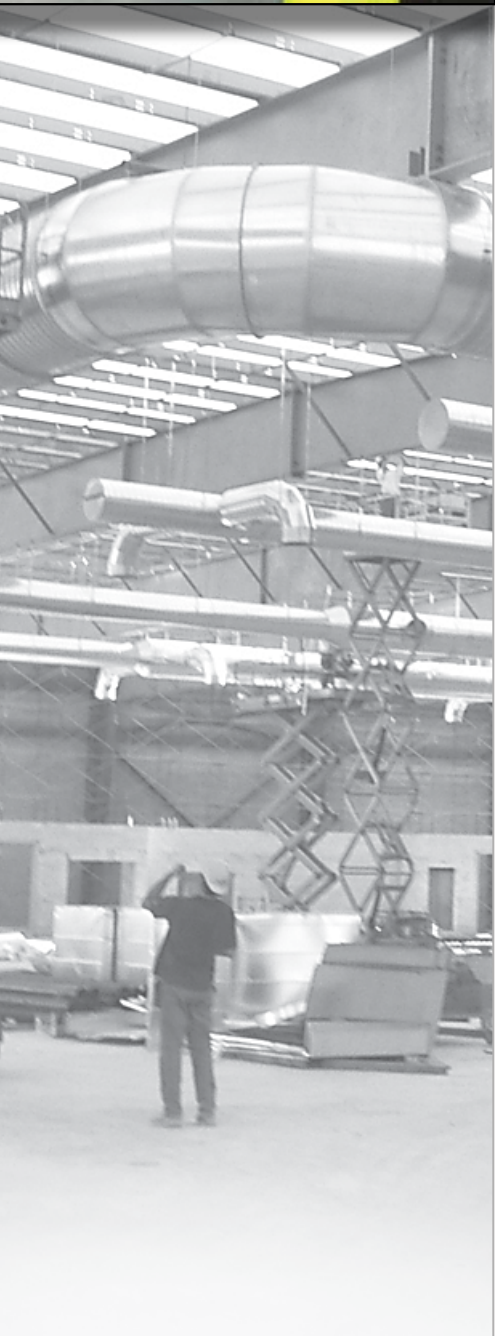
*While SMACNA does not evaluate or endorse any proprietary products, they encourage the development of new HVAC products and technology, and set standards and guidelines for products to meet.



DIE STAMPED PRODUCTS, INC.

1230 Manufacturers Row Ph: 731-855-0040
Trenton, TN 38382 Fx: 731-855-0460

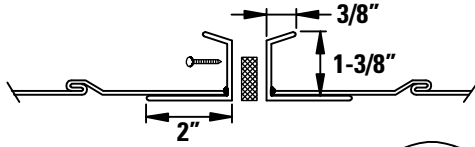
www.diestamped.com



AIR-FLANGE

Round AIR-Flange Submittal

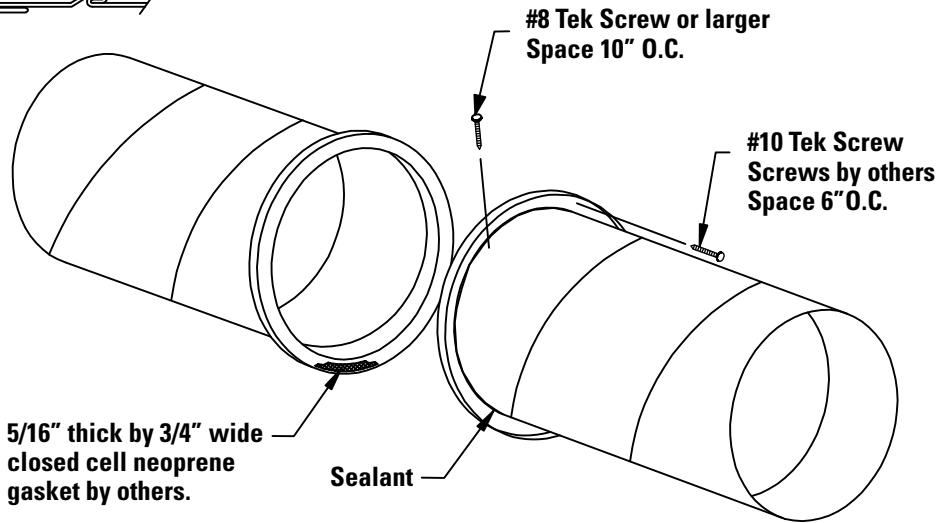
AIR-Flange SINGLE WALL



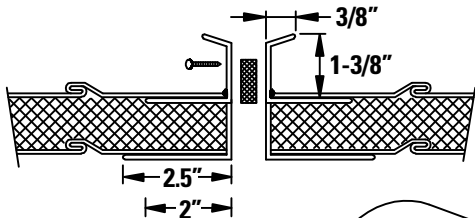
The use of AIR-Flange connecting system, installed and sealed per manufacturer's recommendations, is suitable for use on all systems across a range of internal duct pressures from 10" S.P.W.G. positive to 6" S.P.W.G. negatives.

GAUGES:
 10"-62"... 18 gauge
 64"-74"... 16 gauge
 76"-94"... 14 gauge

5/16" thick by 3/4" wide closed cell neoprene gasket by others.



AIR-Flange DOUBLE WALL



5/16" thick by 3/4" wide closed cell neoprene gasket by others. Gasket to be installed on outer flange.

